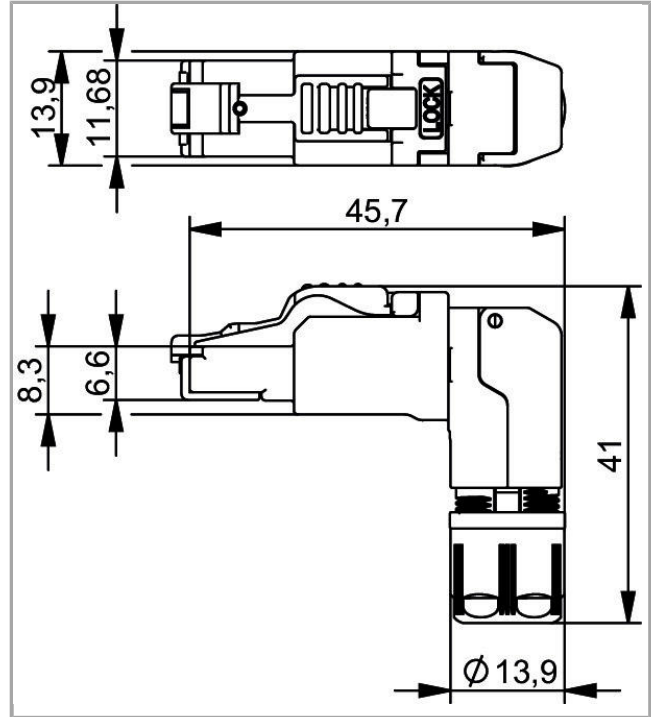


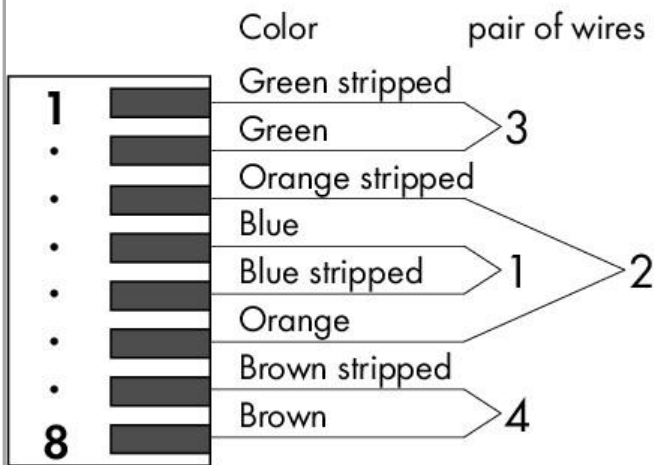
750-979/000-021



RoHS  Compliant [BOMcheck.net](https://www.bomcheck.net)



### Pin assignment TIA-568A



#### Data

#### Technical Data

Connection type	Stecker RJ-45
No. of poles	8

Leitungsanschlussrichtung zur Steckrichtung	90°
Leitungsanschlussrichtung Hinweis	selectable position
Communication/Fieldbus	Ethernet
Code	TIA-568A
Baud rate	-

### Connection data

Connection type (1)	IDC-(Schneidklemm-)Kontakt
Solid conductor	0.13 ... 0.21 mm <sup>2</sup> / 26/1 ... 24/1 AWG
Stranded conductor (2)	0.11 ... 0.23 mm <sup>2</sup> / 27/7 ... 24/7 AWG

### Geometrical Data

Width	13.9 mm
Height	41 mm
Depth	45.7 mm

### Mechanical data

Connection requirement (permissible cable type)	Cat. 6 A
Connectable sheathed cable diameter	5.5 ... 10 mm
Housing material	Zinc die casting
Weight	26 g

### Environmental Requirements

Surrounding air (operating) temperature	-40 ... 85 °C
Surrounding air (storage) temperature	-40 ... 85 °C
Protection class	IP20
Relative air humidity (no condensation)	95 %
Standards/specifications	IEC60603-7-51, ISO/IEC 11801, IEEE 802.3an; EIA/TIA 568-C.2; DIN EN 50173-1; UL 1863; UL 2043

### Commercial data

Country of origin	TW
GTIN	4055143586313
Customs Tariff No.	85366990990

### Downloads

#### Documentation

#### Bid Text

750-979/000-021

doc

Download



24.6 kB

---

**Additional Information**

Disposal; Electrical and electronic equipment, Packaging

V 1.0.0

pdf  
265.8 kB

[Download](#)

---

Subject to changes.

---